

**SANIMARIN**

715

03/18

# SFA



## MAXLITE+

**FR** NOTICE D'INSTALLATION

**UK** INSTALLATION INSTRUCTIONS

**DE** INSTALLATIONSHINWEISE

**IT** STRUZIONI PER L'INSTALLAZIONE

**ES** MANUAL DE INSTALACIÓN

**DK** INSTALLATIONSVEJLEDNING

**NO** INSTALLASJONSANVISING

**FI** ASENNUSOHJEET

**RU** ИНСТРУКЦИЯ ПО МОНТАЖУ И ЭКСПЛУАТАЦИИ

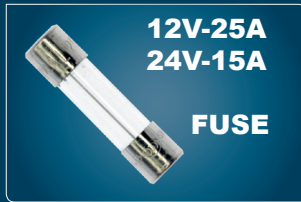
**TR** KURULUM KILAVUZU

**CDN** **USA** INSTALLATION INSTRUCTIONS

**PL** INSTRUKCJA INSTALACJI



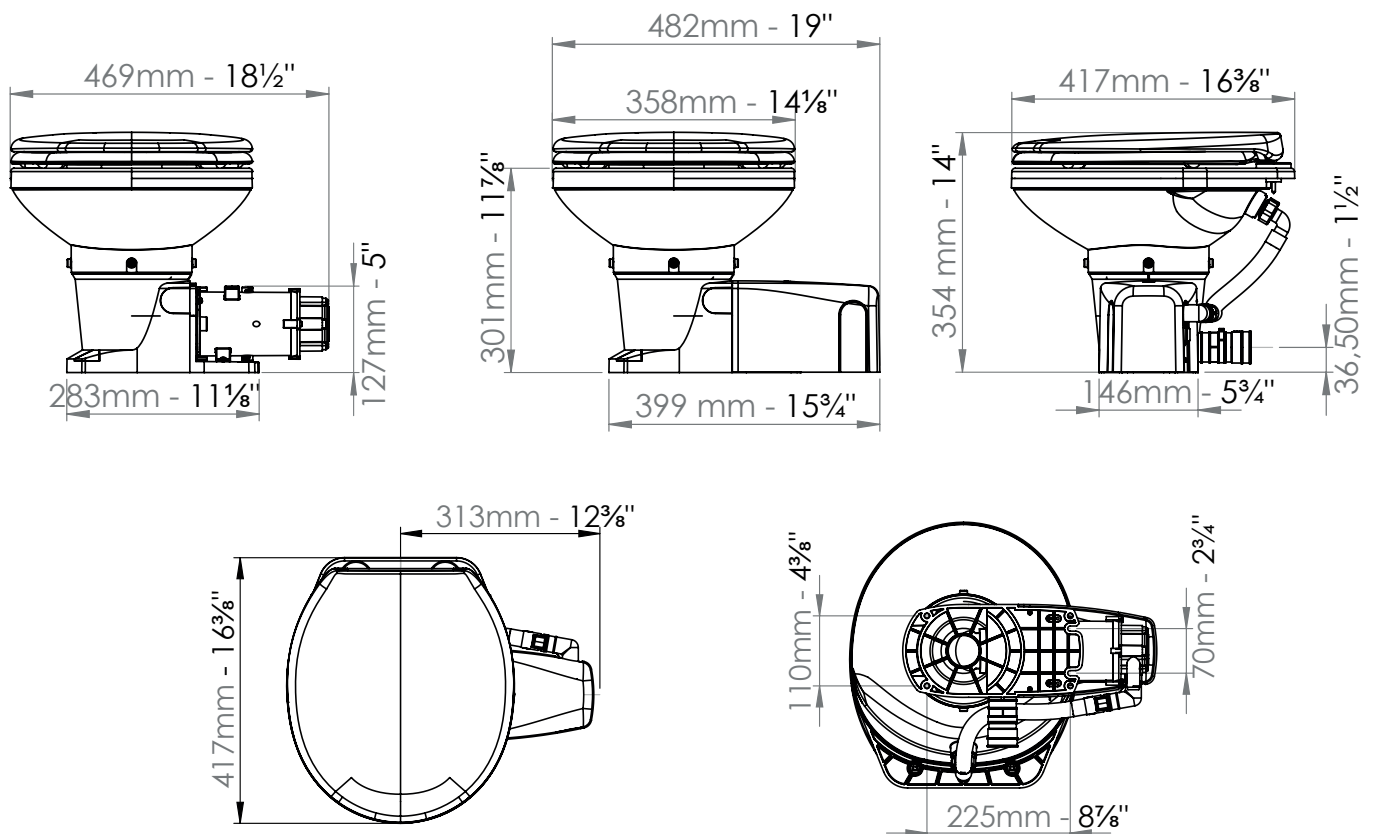
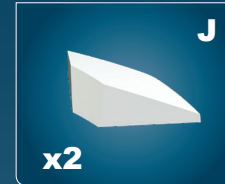
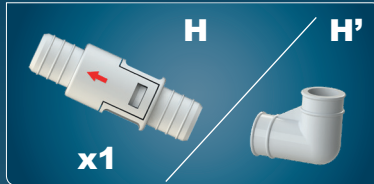
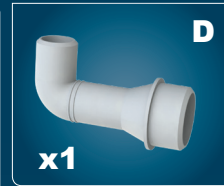
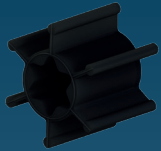
Not included

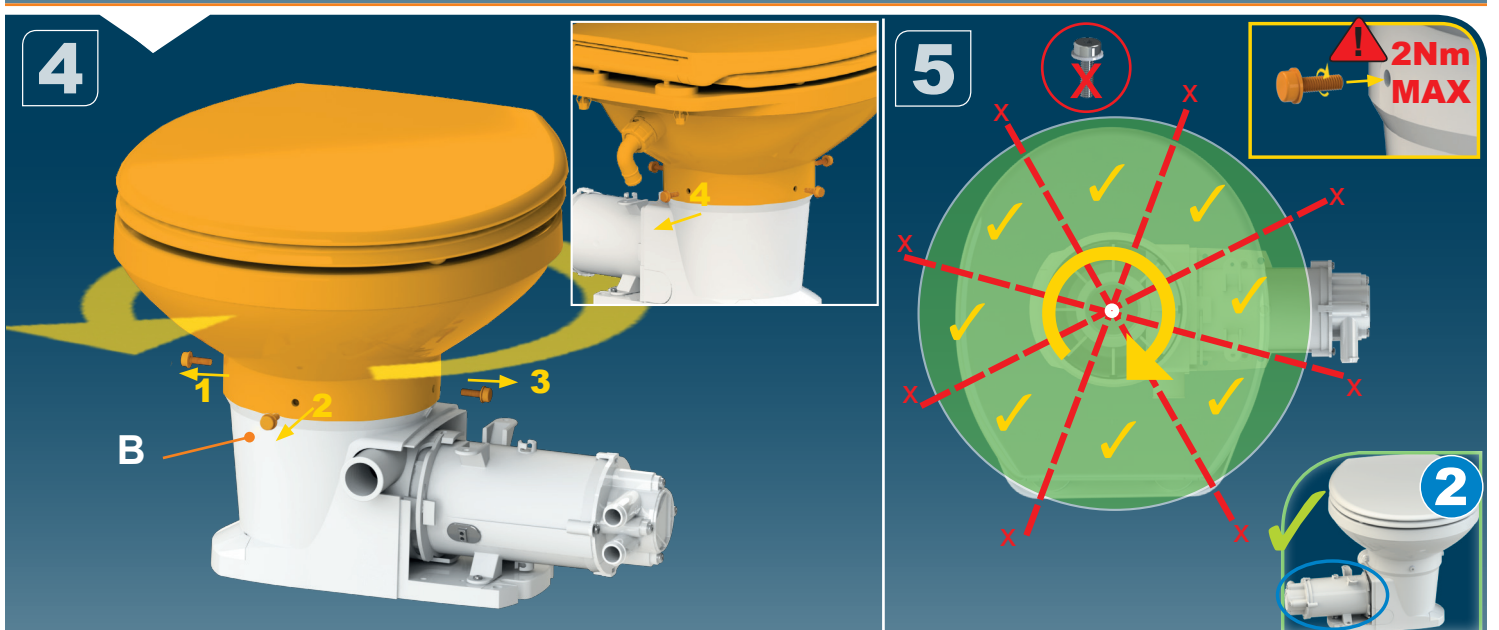
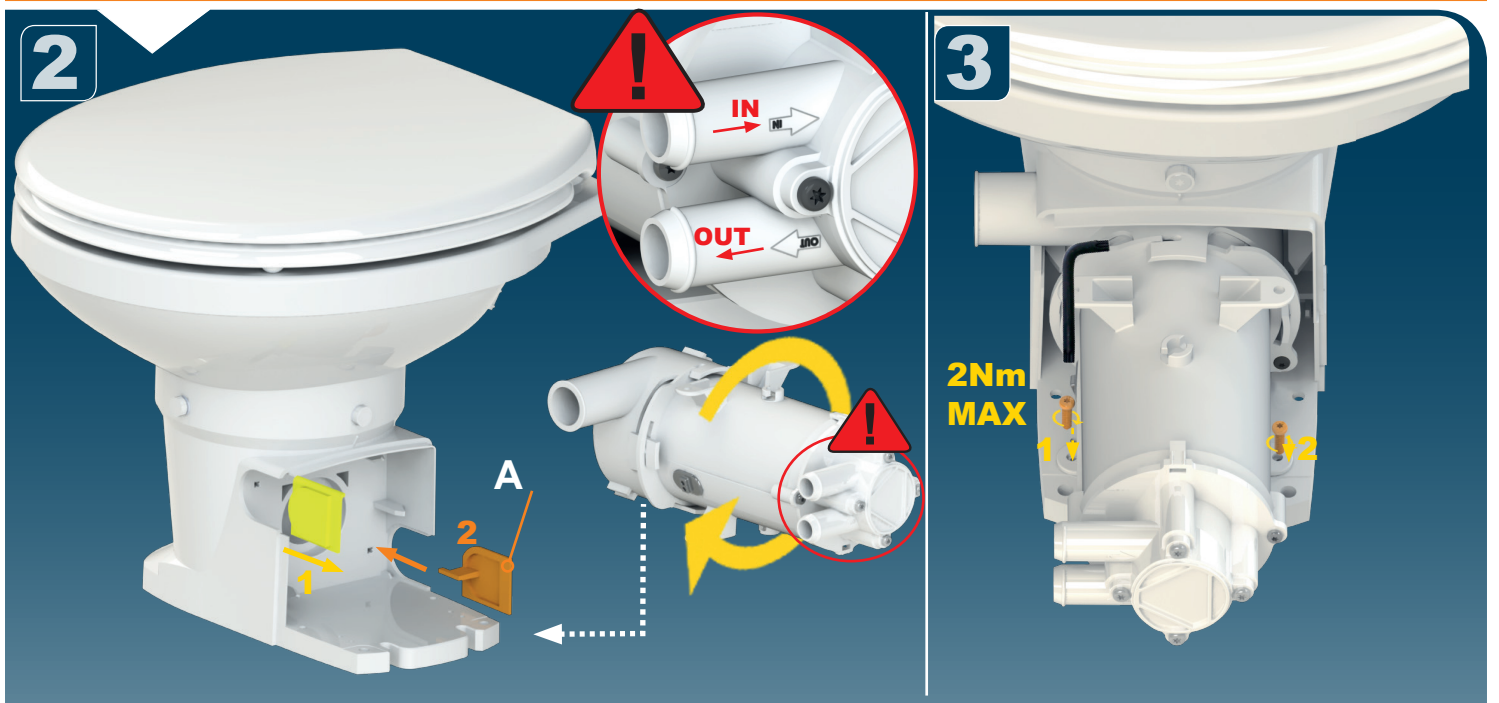
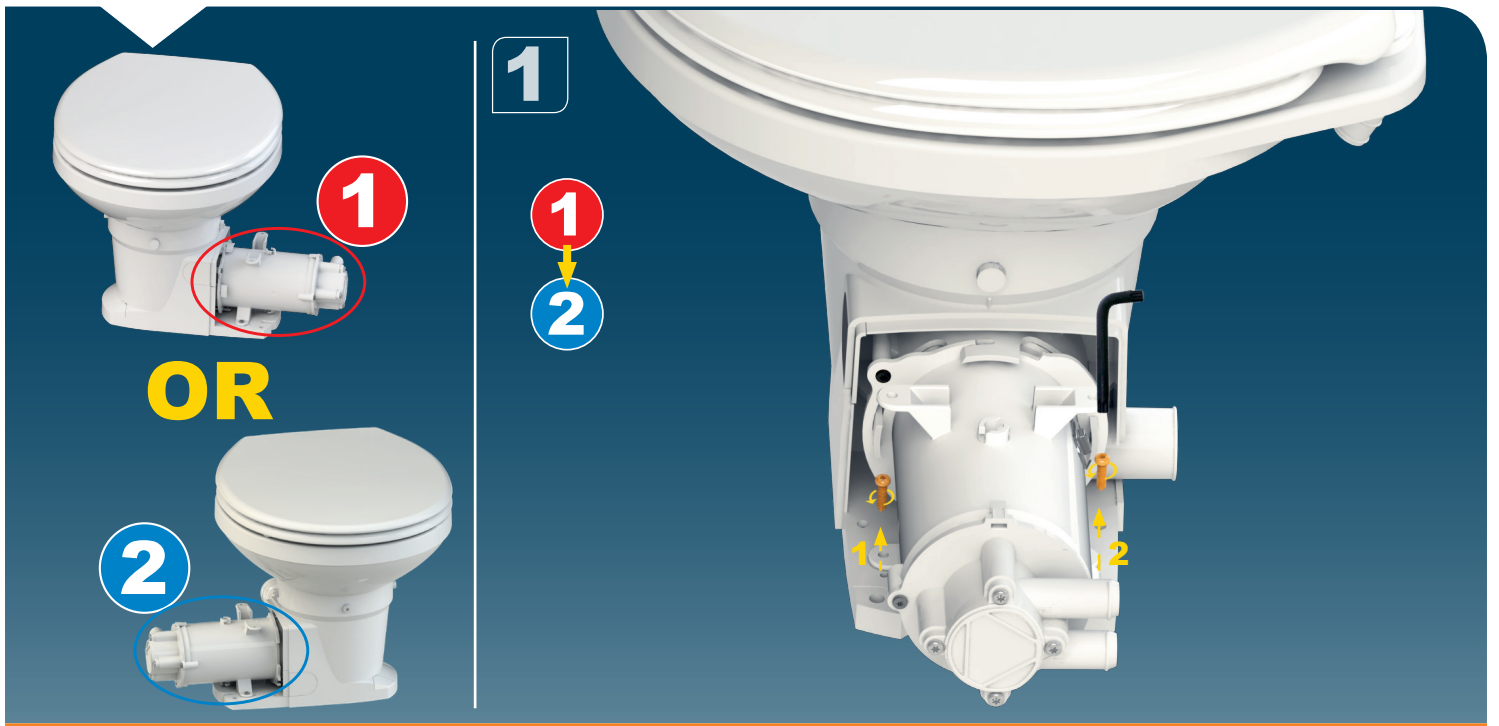


Included in the Box



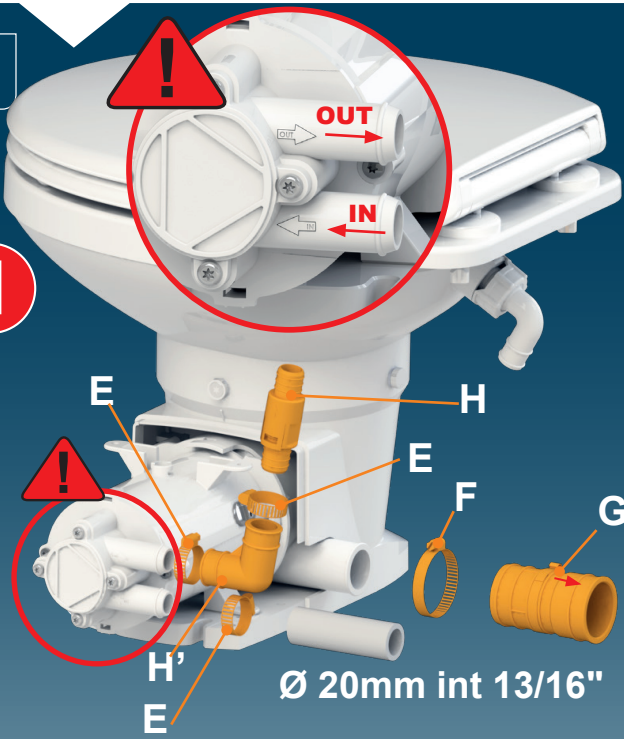
+ EXTRA IMPELLER





6

1

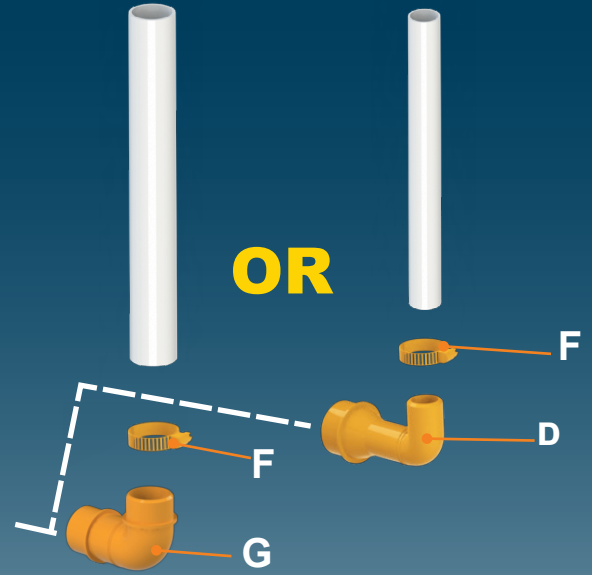


Ø 38mm int 1 1/2"

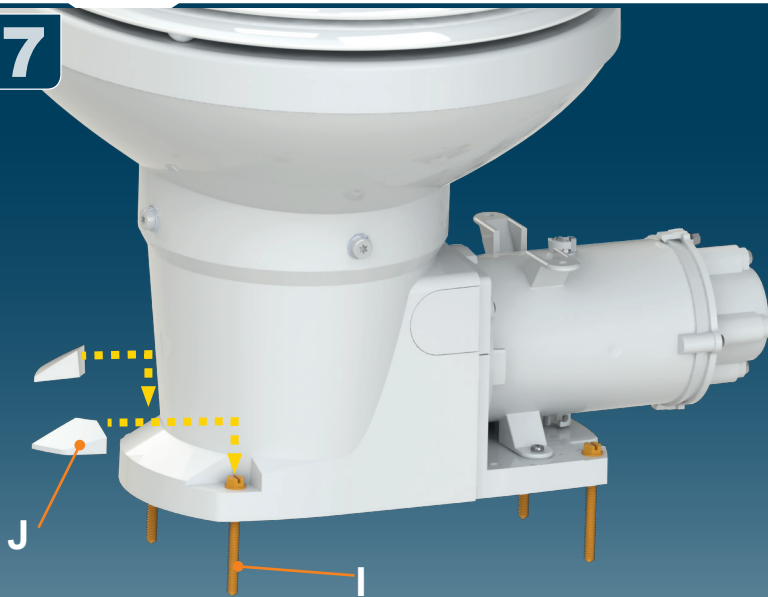
Ø 25mm int / 1"

OR

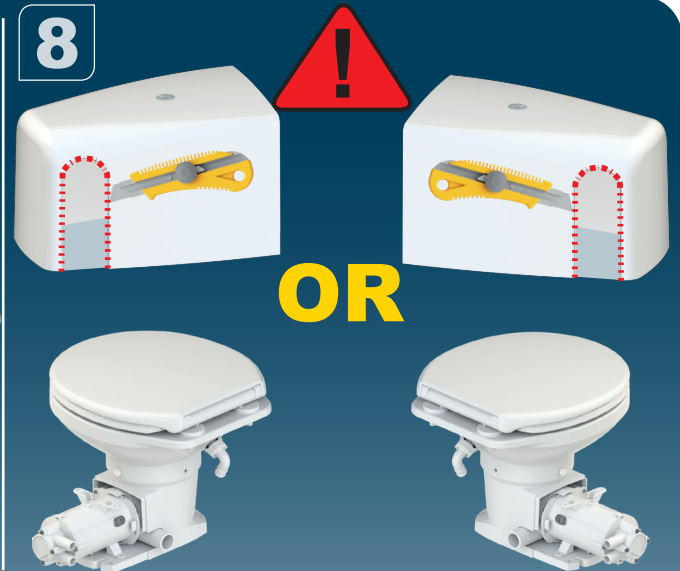
Ø 20mm int 13/16"



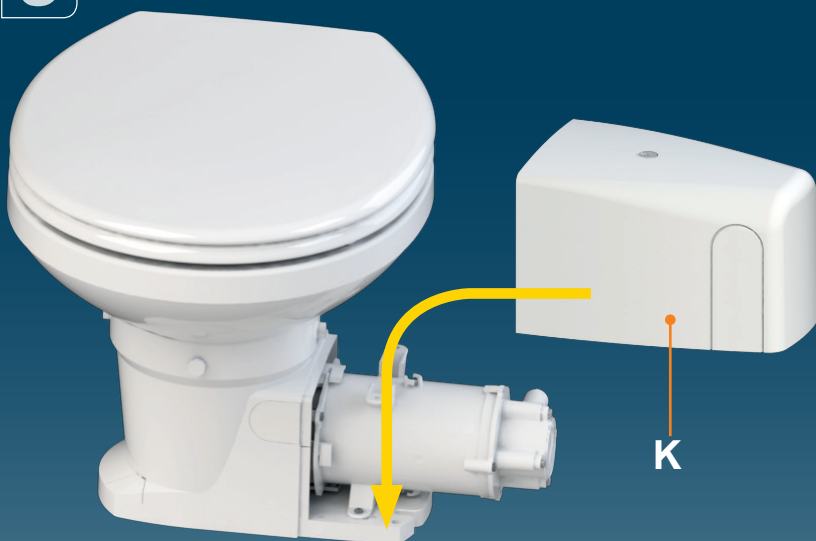
7



8



9





**10a**

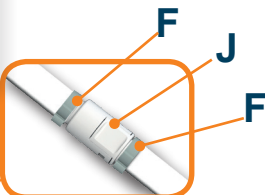


0,5m mini  
20"



Filtre/Filter/  
Filtr/ Filtro/

**10b**

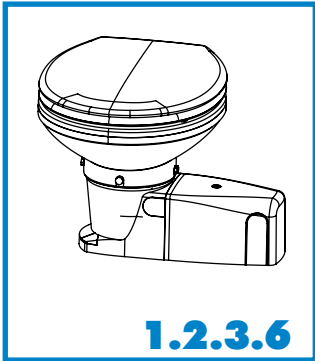


Filtre/Filter/  
Filtr/ Filtro/

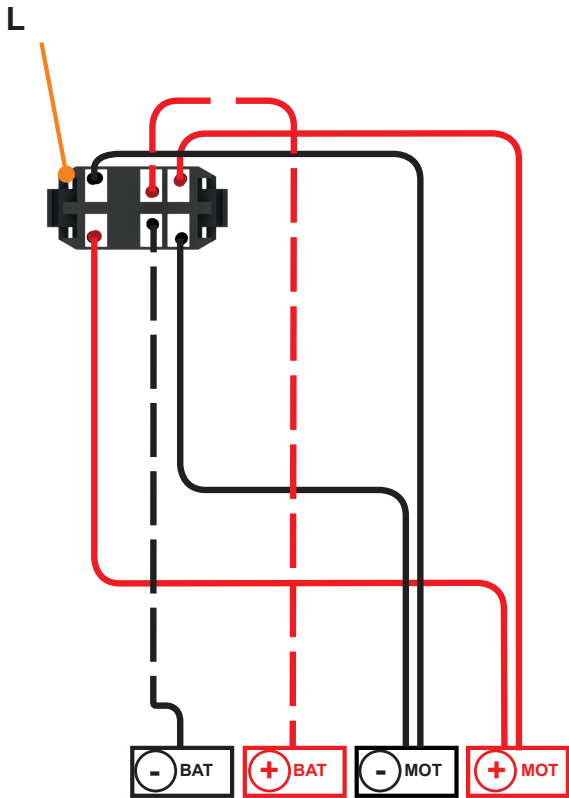
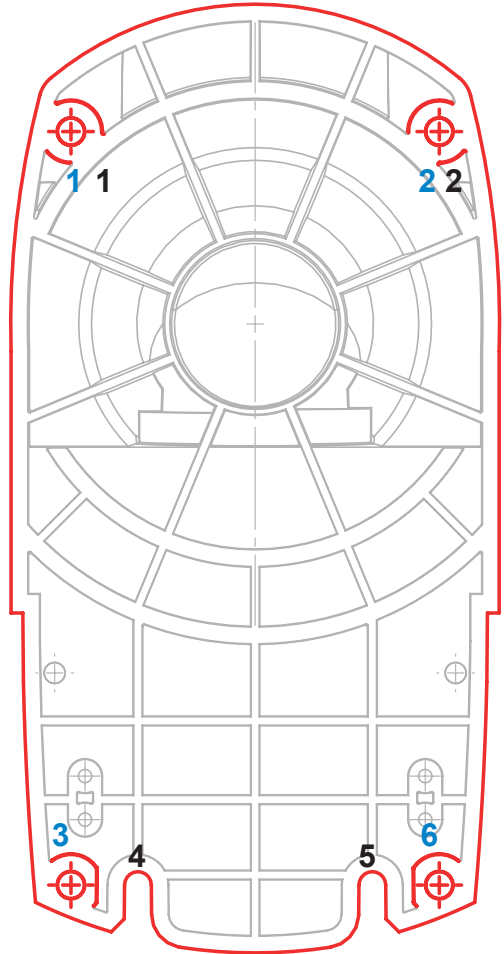
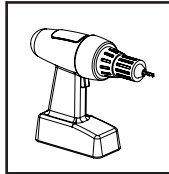
**11**

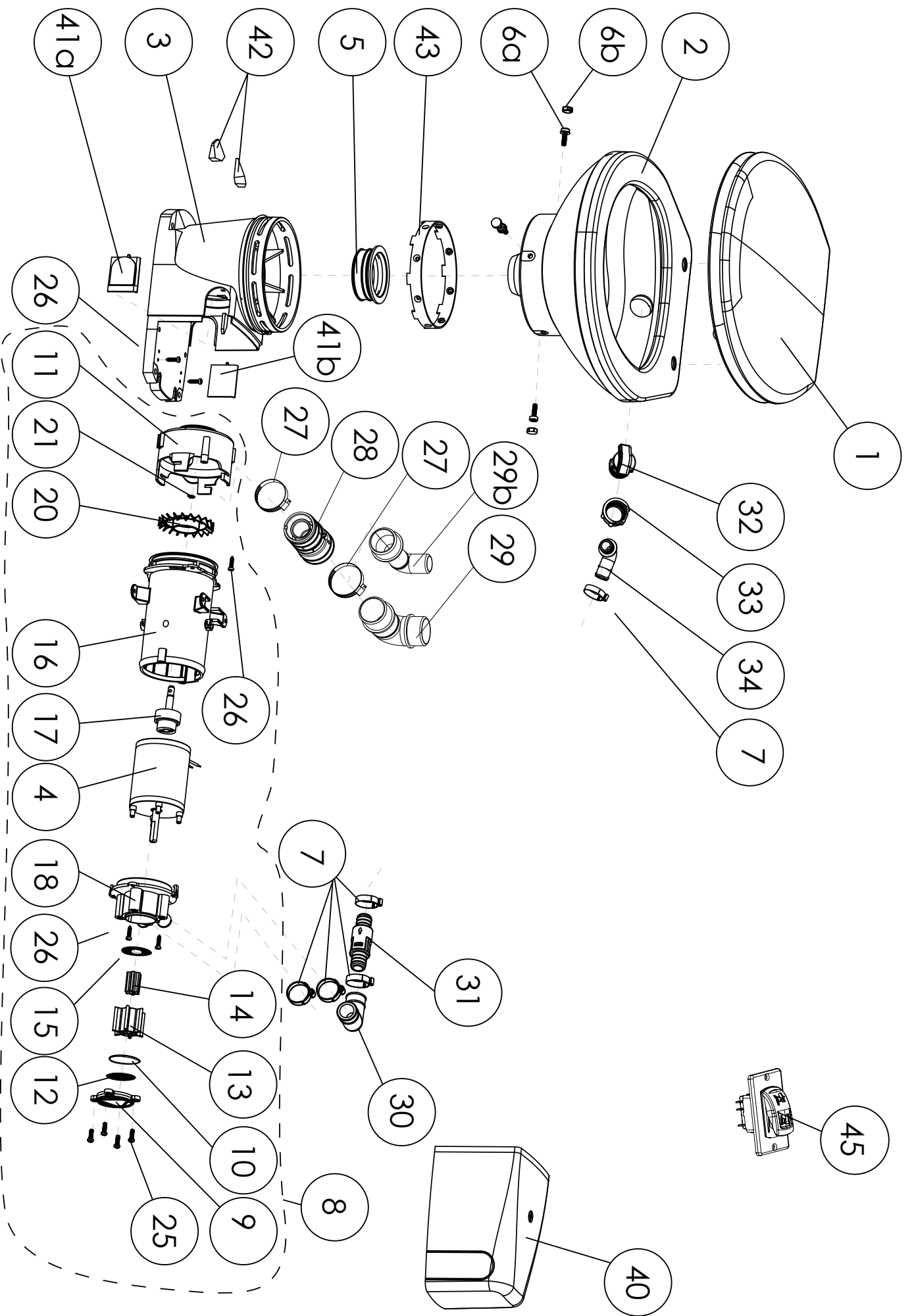
0,5m mini  
20"





**Hand pump  
toilet  
replacement  
1.2.4.5**









## FILIALES / SUBSIDIARIES

### FRANCE

#### SOCIÉTÉ FRANÇAISE D'ASSAINISSEMENT

41 bis avenue Bosquet - 75007 Paris  
Tél. +33 1 44 82 39 00  
Fax +33 1 44 82 39 01

### UNITED KINGDOM

#### SANIFLO Ltd.,

Howard House, The Runway  
South Ruislip Middx.,  
HA4 6 SE  
Tel. +44 208 842 0033  
Fax +44 208 842 1671

### IRELAND

#### SANIRISH Ltd

IDA Industrial Estate  
Edenderry - County Offaly  
Tel. + 353 46 9733 102  
Fax + 353 46 97 33 093

### AUSTRALIA

#### SANIFLO (Australasia) Pty Ltd

Unit 9/10, 25 Gibbes Street  
Chatswood NSW 2067  
Tel. +61 298 826 200  
Fax +61 298 826 950

### DEUTSCHLAND

#### SFA SANIBROY GmbH

Waldstr. 23 Geb. B5 - 63128  
Dietzenbach  
Tel. (060 74) 30928-0  
Fax (060 74) 30928-90

### ITALIA

#### SFA ITALIA spa

Via del Benessere, 9  
27010 Siziano (PV)  
Tel. 03 82 61 81  
Fax 03 82 61 8200

### ESPAÑA

#### SFA S.L.

C/ Vinyalets, 1 - Pl. Can Vinyalets  
08130 Sta. - Perpètua de Mogoda - Barcelona  
Tel. +34 93 544 60 76  
Fax +34 93 462 18 96

### PORTUGAL

#### SFA, Lda.

Sintra Business Park, ed.01-1ºP2710-089 SINTRA  
Tel. +35 21 911 27 85  
Fax +35 21 957 70 00

### РОССИЯ

#### SFA РОССИЯ

101000 Москва - Колпачный переулок 9а  
Тел. (495) 258 29 51  
Факс. (495) 258 29 51

### SCHWEIZ

#### SFA SANIBROY AG

Vorstadt 4  
3380 Wangen a. A.  
Tel. + 41 (0)32 631 04 74  
Fax + 41 (0)32 631 04 75

### BENELUX

#### SFA BENELUX B.V.

Voltaweg 4  
6101 XK Echt (NL)  
Tel. +31 475 487100  
Fax +31 475 486515

### SVERIGE

#### SANIFLO AB

BOX 797  
S-191 27 Sollentuna  
Tel. +46 (0)8-404 15 30  
info@saniflo.se

### POLSKA

#### SFA POLAND Sp. z o.o.

ul. Białołęcka 168  
03-253 Warszawa  
Tel. (+4822) 732 00 32  
Fax (+4822) 751 35 16

### ČESKÁ REPUBLIKA

#### SFA-SANIBROY, spol. s r.o.

Sokolovská 445/212, 180 00 Praha 8  
Tel. +420 266 712 855  
Fax, +420 266 712 856

### ROMANIA

#### SFA SANIFLO S.R.L.

145B Foisorului Street District 3  
31177 BUCURESTI  
Tel. +40 256 245 092  
Fax +40 256 245 029

### TÜRKIYE

#### SFA SANIHYDRO LTD STI

Mecidiye Cad No:36-B Sevensan APT  
34394 MECIDIYEKÖY - ISTANBUL  
Tel. +90 212 275 30 88  
Fax, +90 212 275 90 58

### CHINA

#### SFA 中国

上海市静安区石门二路333弄3号振安  
广场恒安大厦27C (200041)  
Tel. +86(0)21 6218 8969  
Fax. +86(0)21 6218 8970

### KOREA

#### www.SFA.biz

sales@saniflo-korea.kr

### SOUTH AFRICA

#### Saniflo Africa (PTY) Ltd

Unit A6 , Spearhead Business Park  
Cnr. Freedom Way & Montague Drive  
Montague Gardens, 7441  
Tél : +27 (0) 21 286 00 28  
www.saniflo.co.za

### BRASIL

#### SFA Brasil Equipamentos Sanitários,

Rua Maria Figueiredo 595  
CEP 04002-003 SAO PAULO / SP  
Tel. (11) 3052-2292  
santrit@sanitrit.com.br

### NEW ZEALAND

#### Saniflo New Zealand Ltd

PO Box 383 Royal Oak,  
Auckland 1345  
Tel : 09 390 4615  
Fax : +61 2 9882 6950

### UNITED STATES

#### SFA-SANIFLO INC.

105 Newfield Avenue, Suite A  
Edison, NJ 08837  
Tel : 1-732-225-6070  
Fax : 1-732-225-6072

### CANADA

#### SFA-SANIFLO INC.

1-685 Speedvale Avenue West  
Guelph, ON  
Tel : 519-824-1134  
Fax : 519-824-1143

## IMPORTATEURS / DEALERS

### FINLAND

#### OY MARITIM

HELSINKI  
Tél. : +358 207 65180  
Télééc. : +358 207 652943  
www.maritim.fi

### DENMARK

#### KJØLLER

København N.  
Tlf. (+45) 35 82 95 00  
info@kjoeller.com  
www.kjoeller.com

### HONG KONG

#### STORM FORCE MARINE LTD

1901 Dominion Centre, 43-59 Queens Road  
East, Wanchai, Hong Kong  
Tél. : +852 2866 0114

### GREECE

#### Eneq Ltd

ALIMOS  
Tél. : +30 210 988 66 21  
Fax : +30 210 988 58 29  
savvasonan@tee.gr

### E.U.R.L. CARAIBE GREEMENT MARTINIQUE

#### LE MARIN

Tél. : + 05 96 74 80 33  
Fax : + 05 96 74 66 98  
isabelle-cgmar@wanadoo.fr  
www.carai-be-greement.fr

### TUNISIA

#### Sotem DISTRIBUTION

LE KRAM  
TUNISIE  
anisouertani@sotemtn.com

### ELEKTRO YACHT SERVIS d.o.o.

Address: Prigon 41, 51521 Punat - Croatia  
Tel: 00385 51 854 874 - 00385 51 854 247  
Email: info@eys.hr  
Web: www.eys.hr  
EYS on facebook

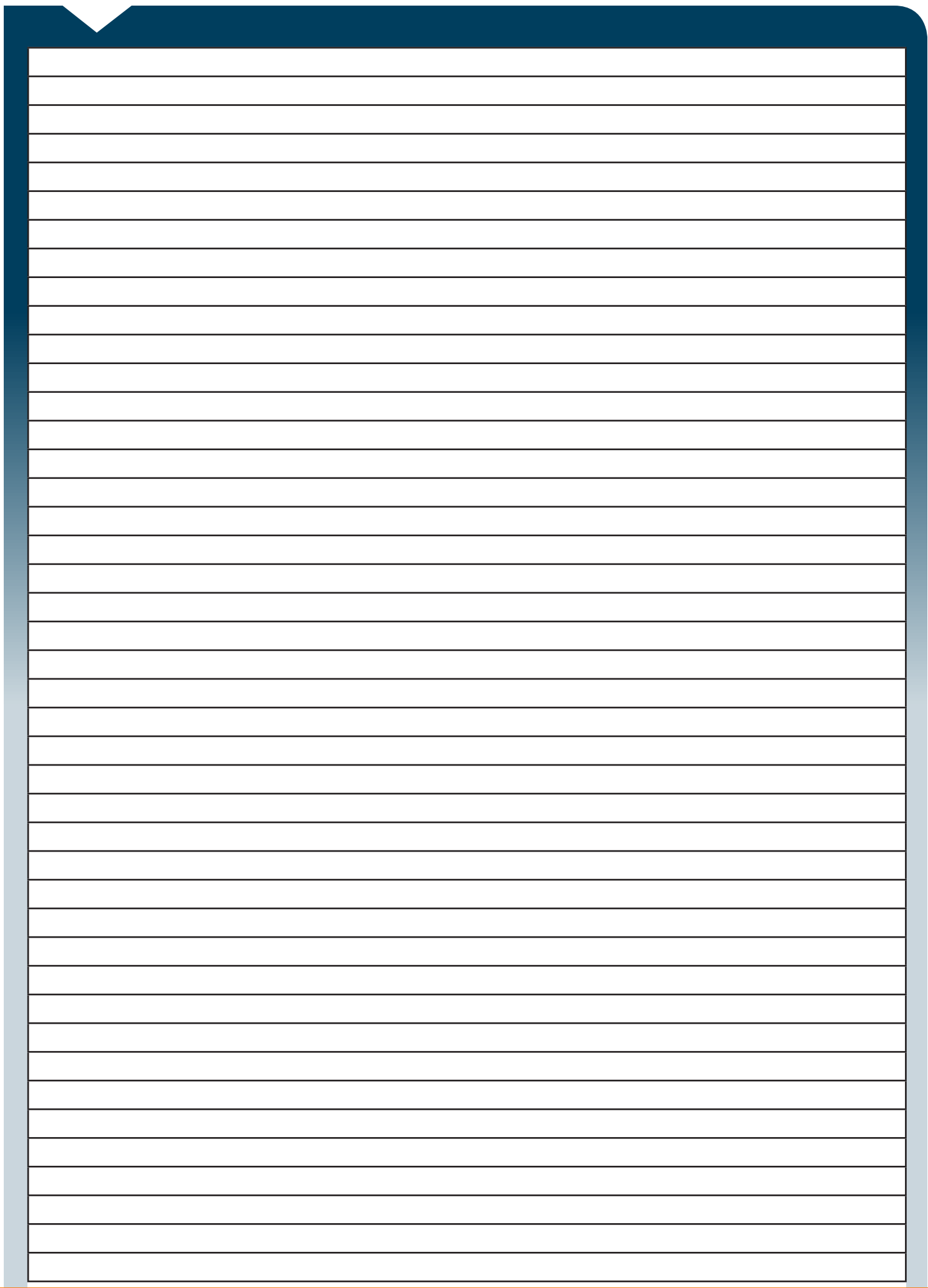
### SAV FRANCE / AFTER SALES SERVICE FRANCE

T : + 33 1 44 82 25 55  
sav@sfa.fr

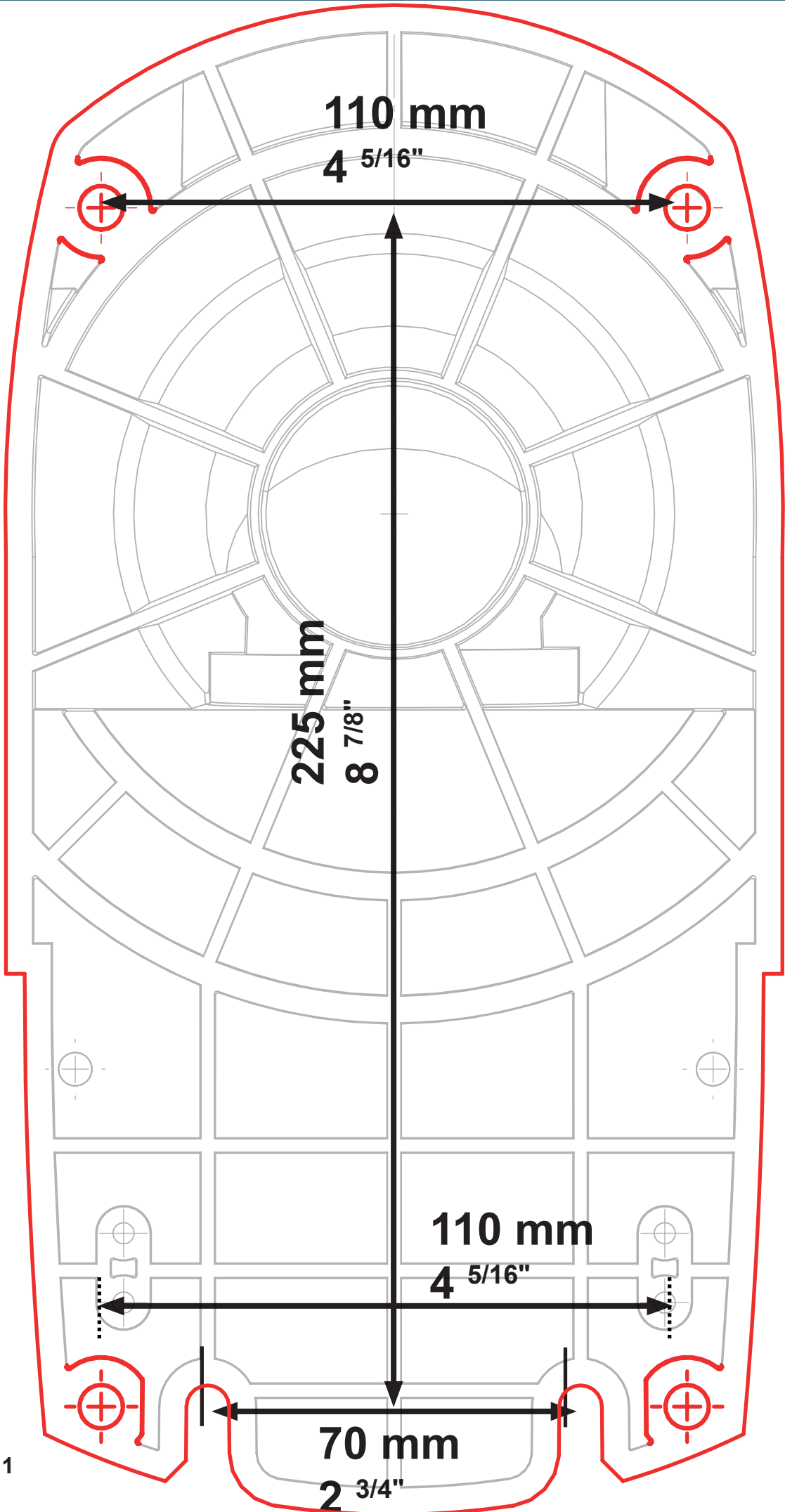
### UNITED ARAB EMIRATES

Ocean Pearl Ships & Boats L.L.C.  
Al Jedaf Dock Yard. Warehouse No. 1  
Showroom No. 1 , P.O. Box : 32628, Dubai,  
Tel : +971 4 3248042  
Fax : +971 4 3248045  
oceanpsb@eim.ae

www.oceanpearldubai.com







SCALE 1:1

